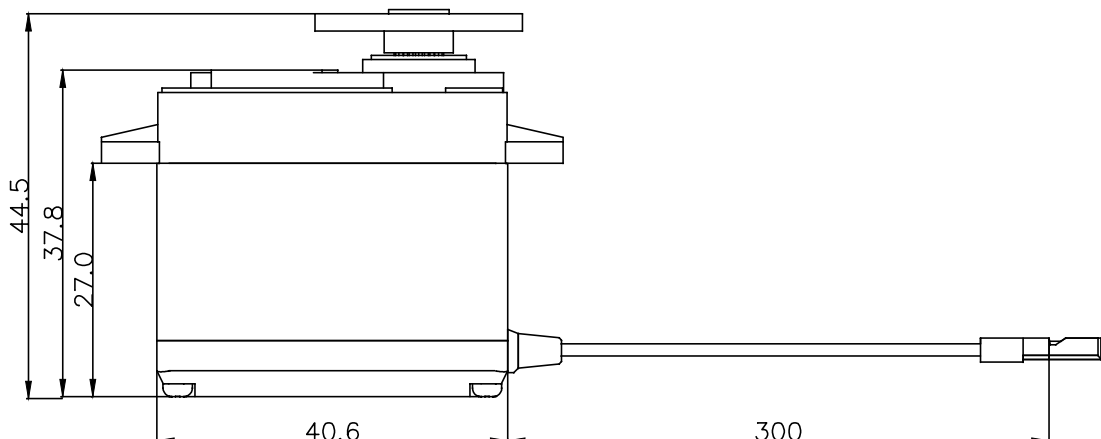
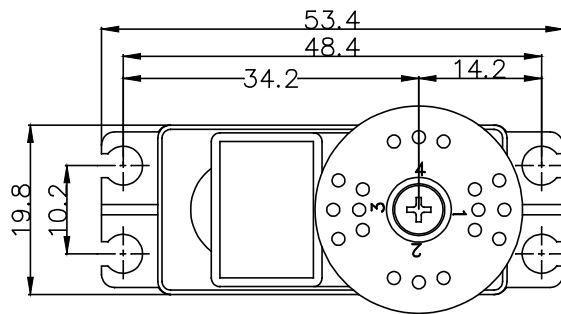


# GENERAL SPECIFICATION OF D625MW DIGITAL SUPER SPEED SERVO

## 1. TECHNICAL VALUES

|                               |   |                         |                          |
|-------------------------------|---|-------------------------|--------------------------|
| CONTROL SYSTEM                | :+PULSE WIDTH CONTROL 1500usec NEUTRAL, 900~2100us/20ms FRAME |                         |                          |
| OPERATING VOLTAGE RANGE       | : 4.8V TO 7.4V  |                         |                          |
| OPERATING TEMPERATURE RANGE   | :-20 TO +60°C(-4°F TO +140°F)                                 |                         |                          |
| TEST VOLTAGE                  | : AT 4.8V   | : AT 6.0V               | : AT 7.4V                |
| OPERATING SPEED               | : 0.20sec/60°   | : 0.15sec/60°           | : 0.13sec/60°            |
| STALL TORQUE                  | : 6.3kg.cm(87.452oz.in)                                       | : 8.8kg.cm(122.20oz.in) | : 10.0kg.cm(138.87oz.in) |
| STANDING TORQUE               | :-  |                         |                          |
| IDLE CURRENT                  | : 30mA  | : 30mA                  | : 30mA                   |
| RUNNING CURRENT               | : 300mA   | : 400mA                 | : 500mA                  |
| STALL CURRENT                 | : 1700mA  | : 2150mA                | : 2650mA                 |
| DEAD BAND WIDTH               | : 2usec   |                         |                          |
| OPERATING ANGLE               | : 40°/ONE SIDE PULSE TRAVELING 400usec                        |                         |                          |
| DIRECTION                     | : CLOCK WISE/PULSE TRAVELING 1500 TO 1900usec                 |                         |                          |
| MOTOR TYPE                    | : 3-POLE MOTOR  |                         |                          |
| POTENTIOMETER TYPE            | : 4 SLIDER/1M CYCLE LONG LIFE/INDIRECT DRIVE                  |                         |                          |
| AMPLIFIER TYPE                | : STM32 DIGITAL AMPLIFIER WITH MOSFET DRIVE                   |                         |                          |
| DIMENSIONS                    | : 40.6x19.8x37.8mm(1.59x0.77x1.48in)                          |                         |                          |
| WEIGHT                        | : 60g(2.11oz)   |                         |                          |
| BALL BEARING                  | : DUAL/MR106  |                         |                          |
| GEAR MATERIAL                 | : 3 Metal gears & 1 MP first gear                             |                         |                          |
| HORN GEAR SPLINE              | : 25 SEGMENTS/ø6.0  |                         |                          |
| SPLINED HORNS                 | : HEAVY DUTY/HD-IS25, HD-OS25, HD-LS25, HD-IL25, HD-LL25      |                         |                          |
| CONNECTOR WIRE LENGTH         | : 300mm(11.81in)  |                         |                          |
| CONNECTOR WIRE STRAND COUNTER | : 0.08X60EA   |                         |                          |
| CONNECTOR WIRE GAUGE          | : 20AWG   |                         |                          |



## 2. FEATURES

DIGITAL & MOS FET AMP  
PROGRAMABLE  
GOLD PLATED CONTACTOR  
NARROW DEAD BAND WIDTH AND HIGH STANDING TORQUE

## 3. APPLICATIONS

30 SIZE HELICOPTERS  
GAS & ELECTRIC CARS  
BOATS